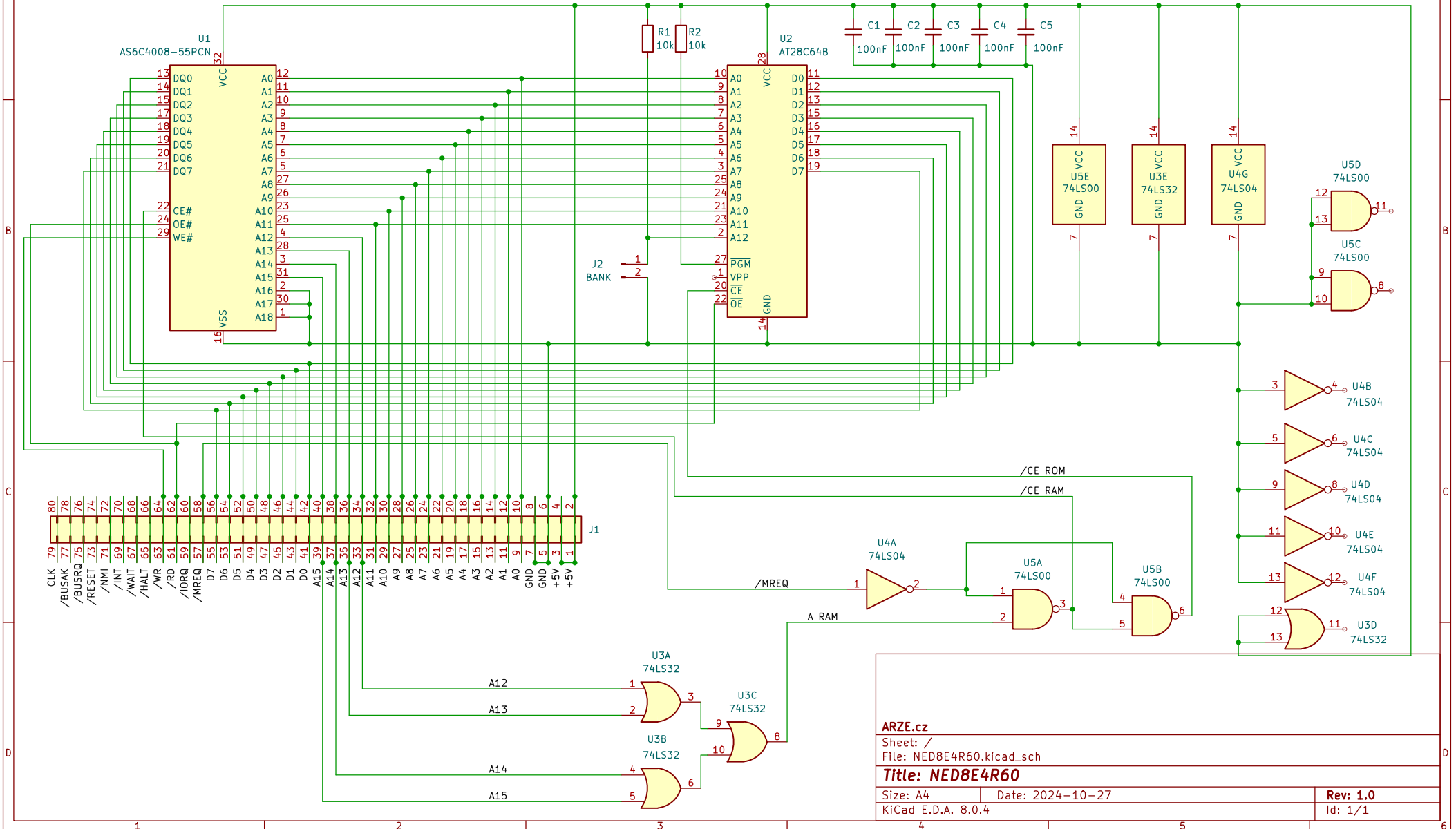


RAM: 1000h–FFFFh

ROM: 0000h–0FFFh



ARZE.cz	
Sheet: /	
File: NED8E4R60.kicad_sch	
Title: NED8E4R60	
Size: A4	Date: 2024-10-27
KiCad E.D.A. 8.0.4	Rev: 1.0
	Id: 1/1